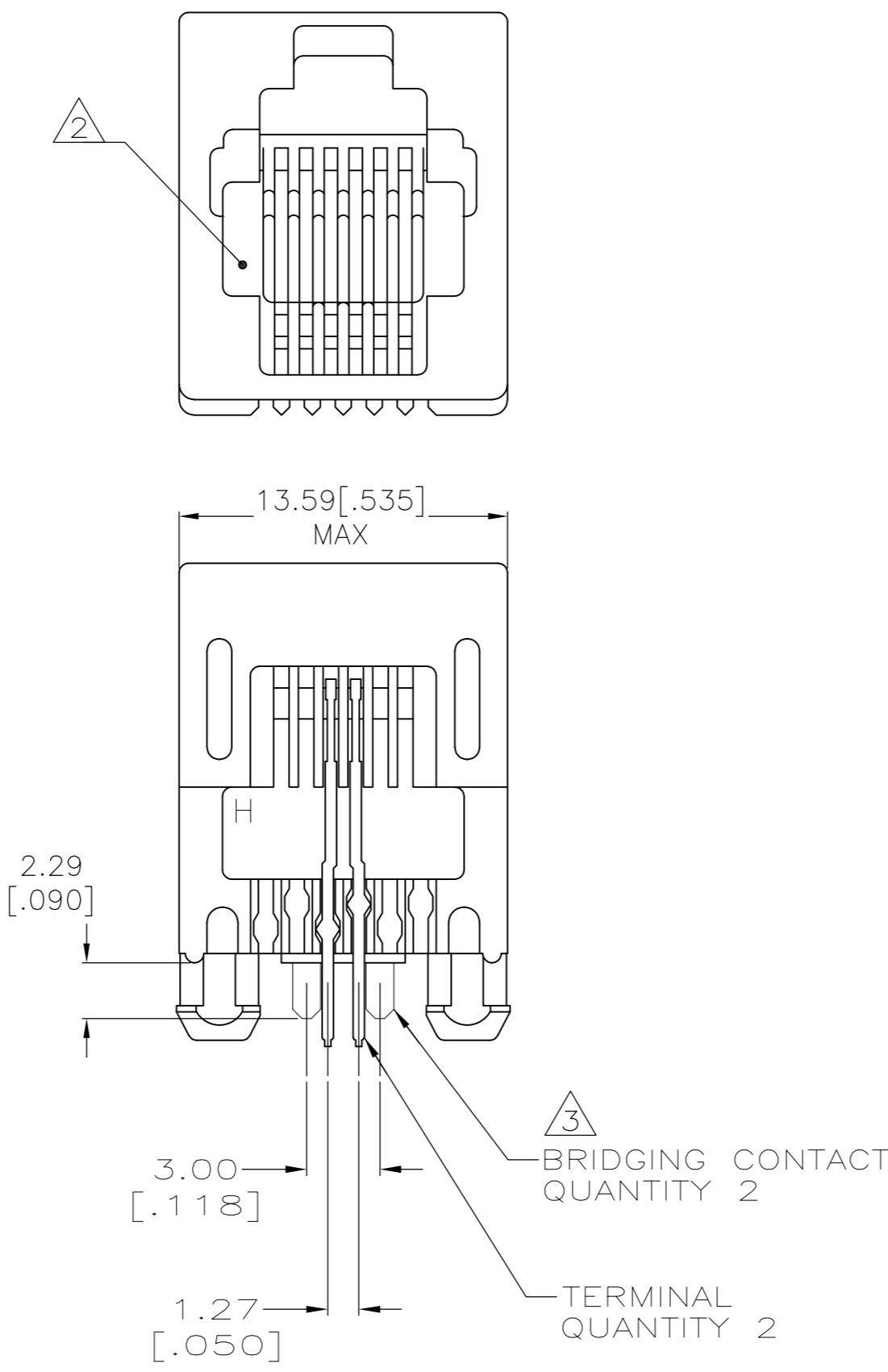
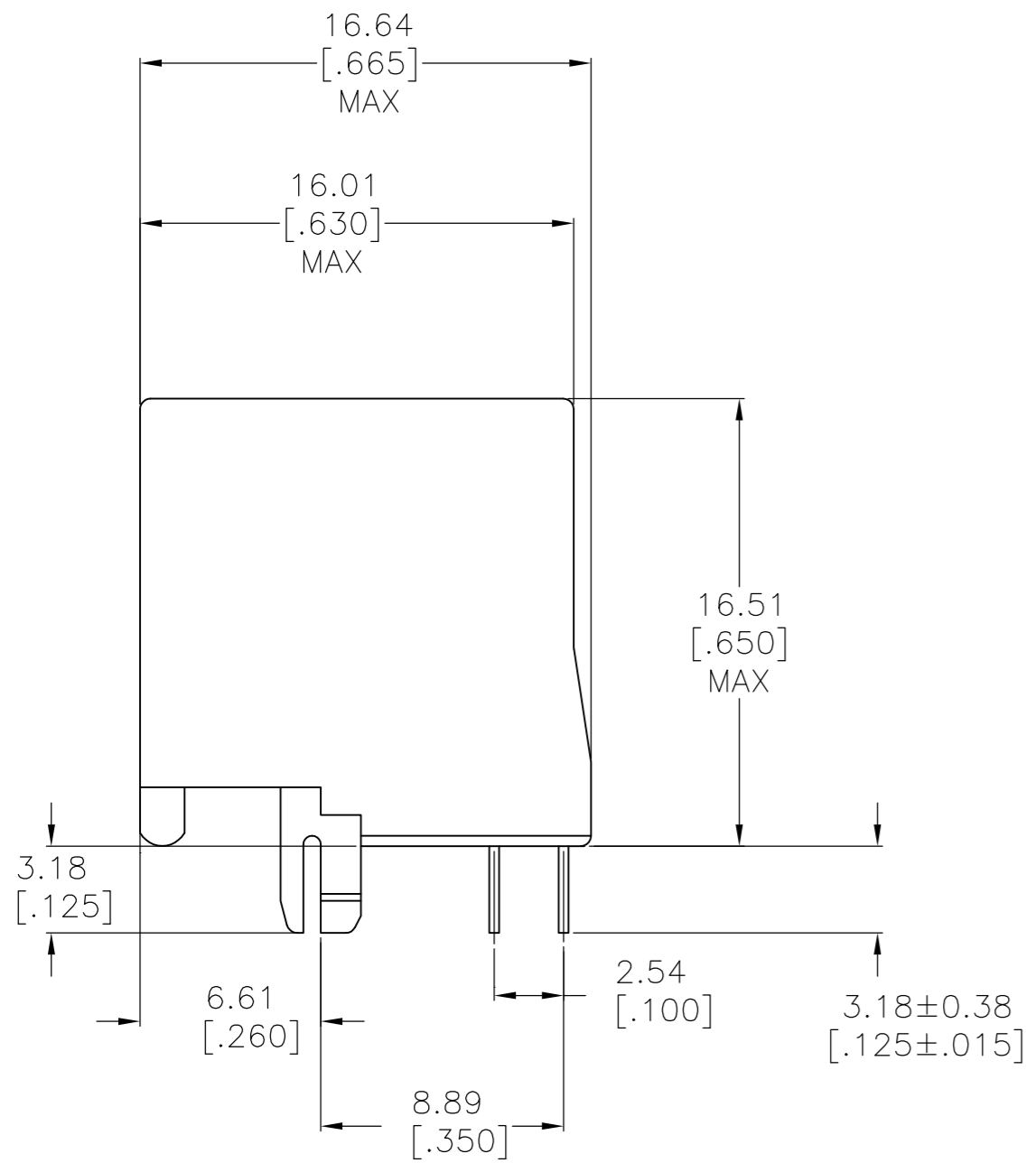


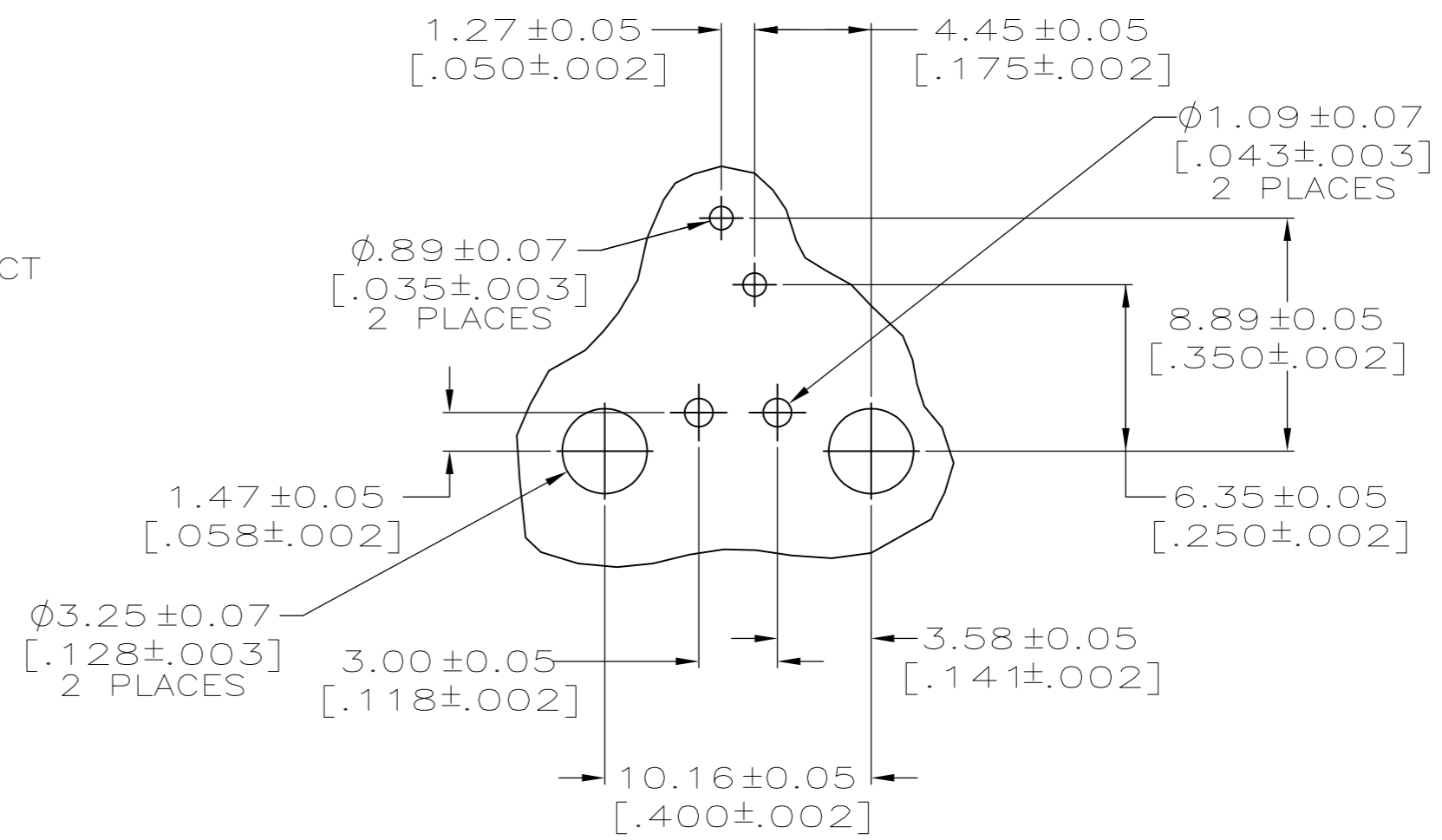
THIS DRAWING IS UNPUBLISHED. RELEASED FOR PUBLICATION  
 © COPYRIGHT BY TYCO ELECTRONICS CORPORATION. ALL RIGHTS RESERVED.

LOC		DIST		REVISIONS			
P	LTR	DESCRIPTION		DATE	DWN	APVD	
AA	00	F		REV PER ECO-09-013594	16JUN2009	CR	PR



- MATERIAL: HOUSING – NYLON 94 VO, COLOR: BLACK  
 TERMINAL – PHOS BRONZE PLATED WITH 1.27µm[.000050] THICK HARD GOLD IN LOCALIZED GOLD PLATE AREA AND 2.03µm[.000080] THICK MATTE TIN IN SOLDER AREA OVER 1.27µm[.000050] THICK NICKEL UNDERPLATE.  
 BRIDGING CONTACT – BRASS PLATED WITH 1.27µm[.000050] THICK HARD GOLD IN LOCALIZED GOLD PLATE AREA AND 3.81µm[.000150] THICK MATTE TIN IN SOLDER AREA OVER 1.27µm[.000050] THICK NICKEL UNDERPLATE.

- CAVITY CONFORMS TO FCC RULES AND REGULATIONS PART 68 AND REA BULLETIN 345-.81 PE-76 SPECIFICATION FOR MODULAR TELEPHONE HARDWARE.
- BRIDGING CONTACTS COMPLETE CIRCUIT WHEN PLUG IS REMOVED.
- BULK PACKAGED IN A TRAY.
- CONTACTS COATED WITH BELLCORE APPROVED LUBRICANT, TECHNICAL REFERENCE GR-1217-CORE, ISSUE 1, NOVEMBER 1995.



SUGGESTED PC BOARD LAYOUT  
 VIEWED FROM TOP (COMPONENT SIDE)

5	1-5406010-2
-	5406010-2
REMARKS	PART NUMBER

THIS DRAWING IS A CONTROLLED DOCUMENT.		DWN L.A.MAYER 16AUG2007	Tyco Electronics Corporation Harrisburg, PA 17105-3608	
DIMENSIONS: mm [INCHES]		CHK P.RECCE 16AUG2007	NAME S.FLICKINGER	
TOLERANCES UNLESS OTHERWISE SPECIFIED:		APVD S.FLICKINGER 16AUG2007	PRODUCT SPEC 108-1721	
0 PLC ± -	1 PLC ± -	APPLICATION SPEC 114-2048	SIZE A2	CAGE CODE 00779
2 PLC ± 0.13[.005]	3 PLC ± -	WEIGHT 2.31 GRAMS	DRAWING NO C=5406010	RESTRICTED TO -
4 PLC ± -	ANGLES ± -	CUSTOMER DRAWING	SCALE 4:1	SHEET 1 OF 1
MATERIAL SEE NOTE 1	FINISH SEE NOTE 1		REV F	